



ACCESSORI PER CANCELLI



Puertas & Portones Automaticos S.A. de C.V.

¡Nuestra pasión es la Solución!....

»HERRAJES PARA PORTON TESLESCOPICO MULTI-HOJAS.



(229) 461-7028

portonesautomaticos@adsver.com.mx
portonesautomaticos@prodigy.net.mx



RESIDENCIAL



COMERCIAL



INDUSTRIAL



MEMBER
International Door Association



V08.23

(229) 927-5107, 167-8080, 167-8007, 151-7529.



www.adsver.com.mx



ACCESSORI PER CANCELLI



Puertas & Portones Automaticos S.A. de C.V.

¡Nuestra pasión es la Solución!....

»HERRAJES PARA PORTON TESLESCOPICO MULTI-HOJAS.

Multi-leaf telescopic KIT



KA5102.1

Maximum opening 12 m

WITH WHEELS V GROOVE

 VA5102	 VA5203	 VA3502
 VA3204	 VA5302	 VA5411
 VA4101	 VA1104	

RELATED ARTICLES



VA5401



VA2102



VA4203

(229) 461-7028

portonesautomaticos@adsver.com.mx
portonesautomaticos@prodigy.net.mx



V08.23

(229) 927-5107, 167-8080, 167-8007, 151-7529.



www.adsver.com.mx

»HERRAJES PARA PORTON TESLESCOPICO MULTI-HOJAS. Multi-leaf telescopic KIT

up to 6 m opening

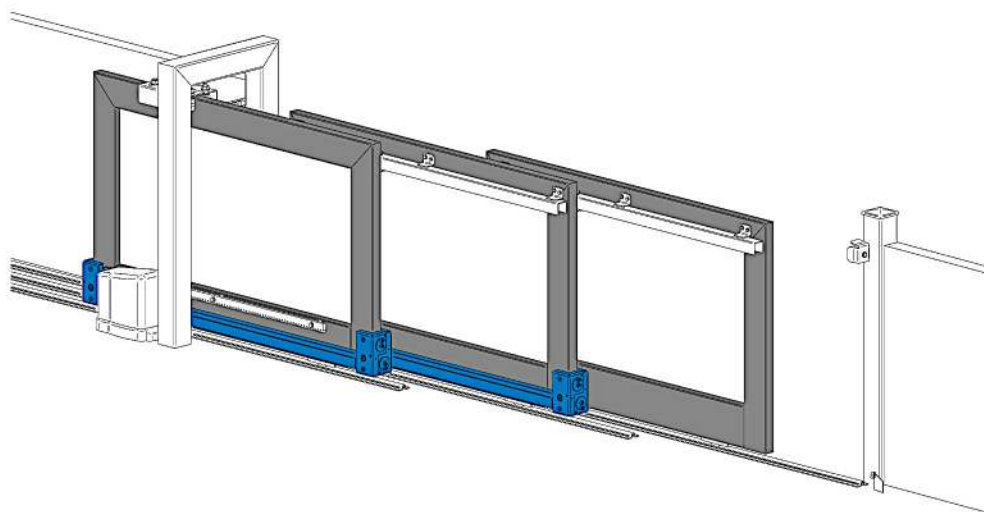


KA5102.106 D.90 V GROOVE WHEELS		
CODE	DESCRIPTION	QUANTITY
VA1104.090	V groove wheel with drilled internal support bracket	6
VA3204.A30	Adjustable wall mount guide double plate with 4 rollers	1
VA3502.N34	Connection rollers support for telescopic gate	2
VA5102.002	Complete telescopic multi-leaf transmission set	2
VA5203.004	Quick on coupling telescopic multi-leaf	4
VA5302.001	Carter for telescopic multi-leaf transmission set	8
VA4101.092	Limit stop to weld	4
VA5411.001	Adjustable plate upper guide profile	12

up to 12 m opening



D.100 V GROOVE WHEELS		
CODE	DESCRIPTION	QUANTITY
VA1104.100	V groove wheel with drilled internal support bracket	6
VA3204.A30	Adjustable wall mount guide double plate with 4 rollers / olive /	1
VA3502.N34	Connection rollers support for telescopic gate	2
VA5102.004	Complete telescopic multi-leaf transmission set	2
VA5203.004	Quick on coupling telescopic multi-leaf	4
VA5302.001	Carter for telescopic multi-leaf transmission set	14
VA4101.115	Limit stop to weld	4
VA5411.001	Adjustable plate upper guide profile	20





ACCESSORI PER CANCELLI



Puertas & Portones Automaticos S.A. de C.V.

¡Nuestra pasión es la Solución!....

»HERRAJES PARA PORTON TESLESCOPICO MULTI-HOJAS.

Multi-leaf telescopic KIT



KA5102.4

Maximum opening 12 m

WITH HALF-ROUND GROOVE WHEELS

 LUBRIFICANTE INCLUSO OIL INCLUDED		
VA5102	VA5203	VA3502
		
VA3204	VA5302	VA5411
	 M	
VA4101	VA1404	

RELATED ARTICLES



VA5401



VA2402



VA4203

(229) 461-7028

portonesautomaticos@adsver.com.mx
portonesautomaticos@prodigy.net.mx



V08.23

(229) 927-5107, 167-8080, 167-8007, 151-7529.



www.adsver.com.mx

»HERRAJES PARA PORTON TESLESCOPICO MULTI-HOJAS. Multi-leaf telescopic KIT



up to 6 m opening

KA5102.406 D.90 HALF-ROUND GROOVE WHEELS 20mm

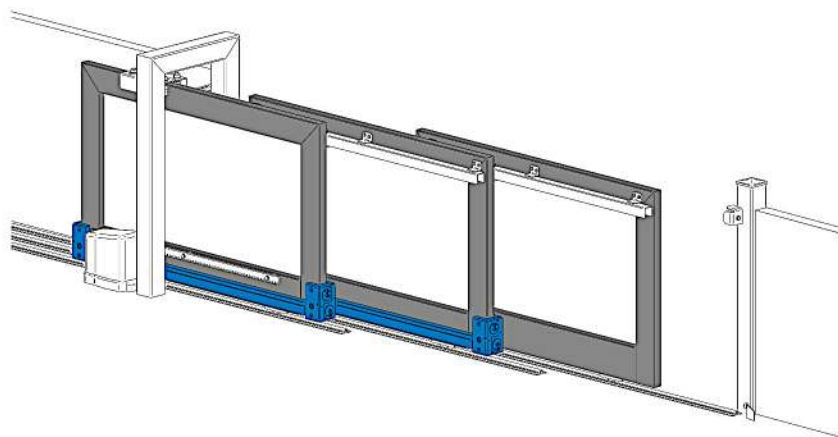
CODE	DESCRIPTION	QUANTITY
VA1404.090	Wheel half-round groove with drilled internal support bracket	6
VA3204.A30	Adjustable wall mount guide double plate with 4 rollers	1
VA3502.N34	Connection rollers support for telescopic gate	2
VA5102.002	Complete telescopic multi-leaf transmission set	2
VA5203.004	Quick on coupling telescopic multi-leaf	4
VA5302.001	Carter for telescopic multi-leaf transmission set	8
VA4101.092	Limit stop to weld	4
VA5411.001	Adjustable plate upper guide profile	12



up to 12 m opening

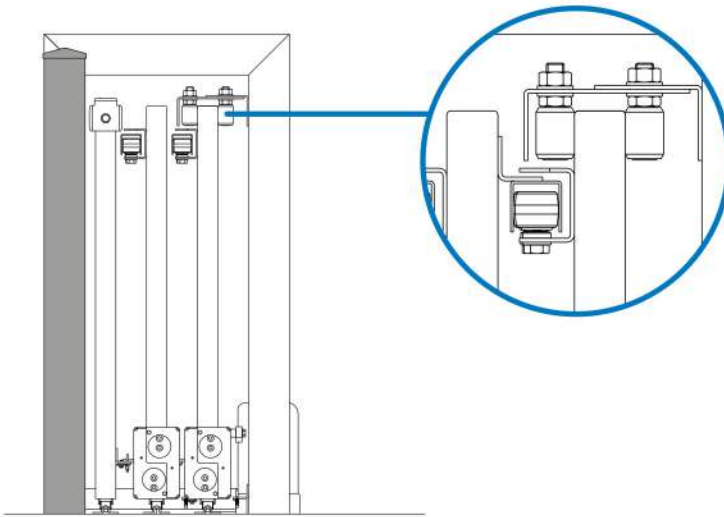
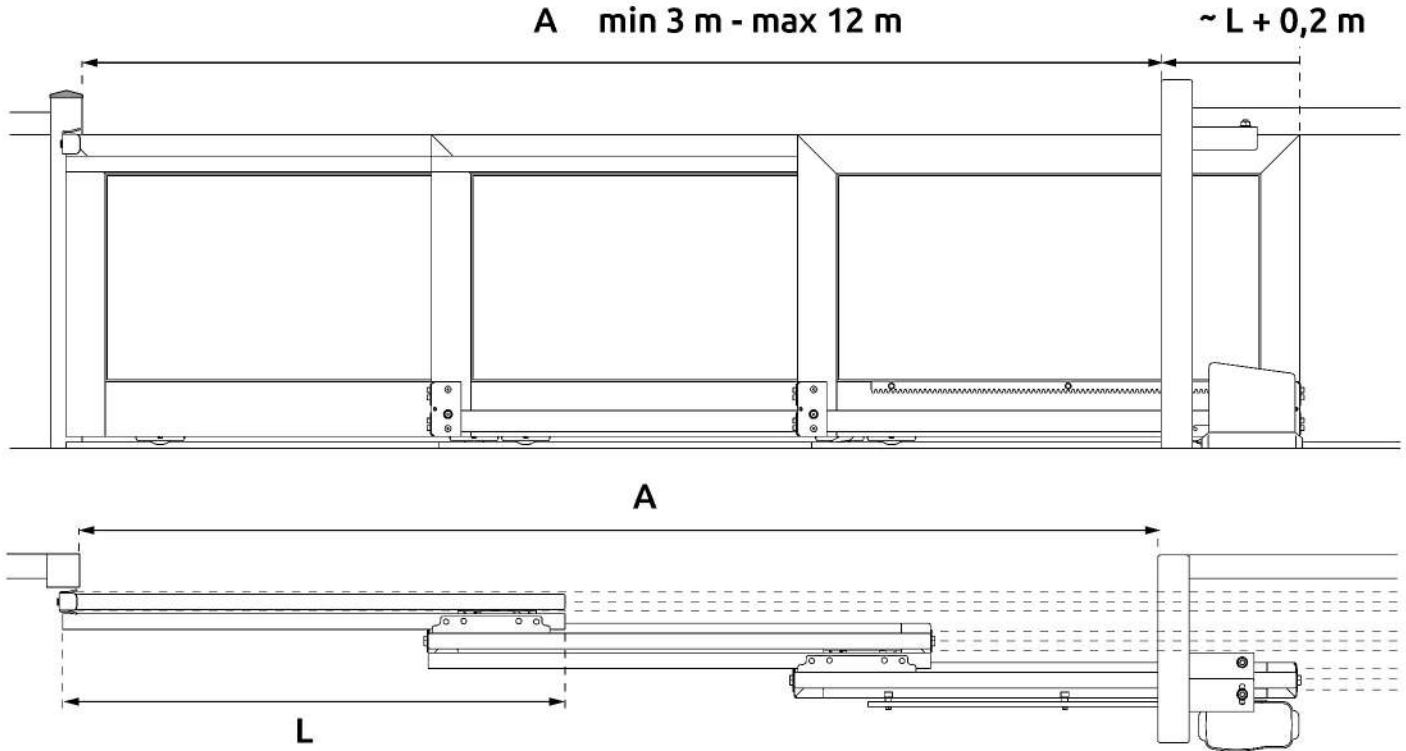
KA5102.412 D.100 HALF-ROUND GROOVE WHEELS 20mm

CODE	DESCRIPTION	QUANTITY
VA1404.100	Wheel half-round groove with drilled internal support bracket	6
VA3204.A30	Adjustable wall mount guide double plate with 4 rollers	1
VA3502.N34	Connection rollers support for telescopic gate	2
VA5102.004	Complete telescopic multi-leaf transmission set	2
VA5203.004	Quick on coupling telescopic multi-leaf	4
VA5302.001	Carter for telescopic multi-leaf transmission set	14
VA4101.115	Limit stop to weld	4
VA5411.001	Adjustable plate upper guide profile	20



V08.23

»HERRAJES PARA PORTON TESLESCOPICO MULTI-HOJAS. Multi-leaf telescopic KIT



LEAVES DIMENSIONING DIMENSIONAMENTO ANTE LEAVES DIMENSIONING

Max leaf weight = 200 Kg

CODE	APERTURA OPENING (A)	C min	L (m) con/with B=0,1 m
KA5102.106 / KA5102.406	3	0,35	1,39
KA5102.106 / KA5102.406	4	0,35	1,72
KA5102.106 / KA5102.406	5	0,35	2,05
KA5102.106 / KA5102.406	6	0,35	2,39
KA5102.112 / KA5102.412	7	0,35	2,72
KA5102.112 / KA5102.412	8	0,35	3,05
KA5102.112 / KA5102.412	9	0,35	3,39
KA5102.112 / KA5102.412	10	0,35	3,72
KA5102.112 / KA5102.412	11	0,35	4,05
KA5102.112 / KA5102.412	12	0,35	4,39

Example of out-of-table measurements

n = 3 (numero di ante/leaves number)

A = 9,6 m

B = 0,06 m (scelta dall'installatore / selected by the customer)

C = 0,35 m (vedi tabella / see table)

L = [(A+B)/n] + C

L = [(9,6+0,06)/3] + 0,35 = 3,57

For leaves dimensioning please refer to the technical charts

